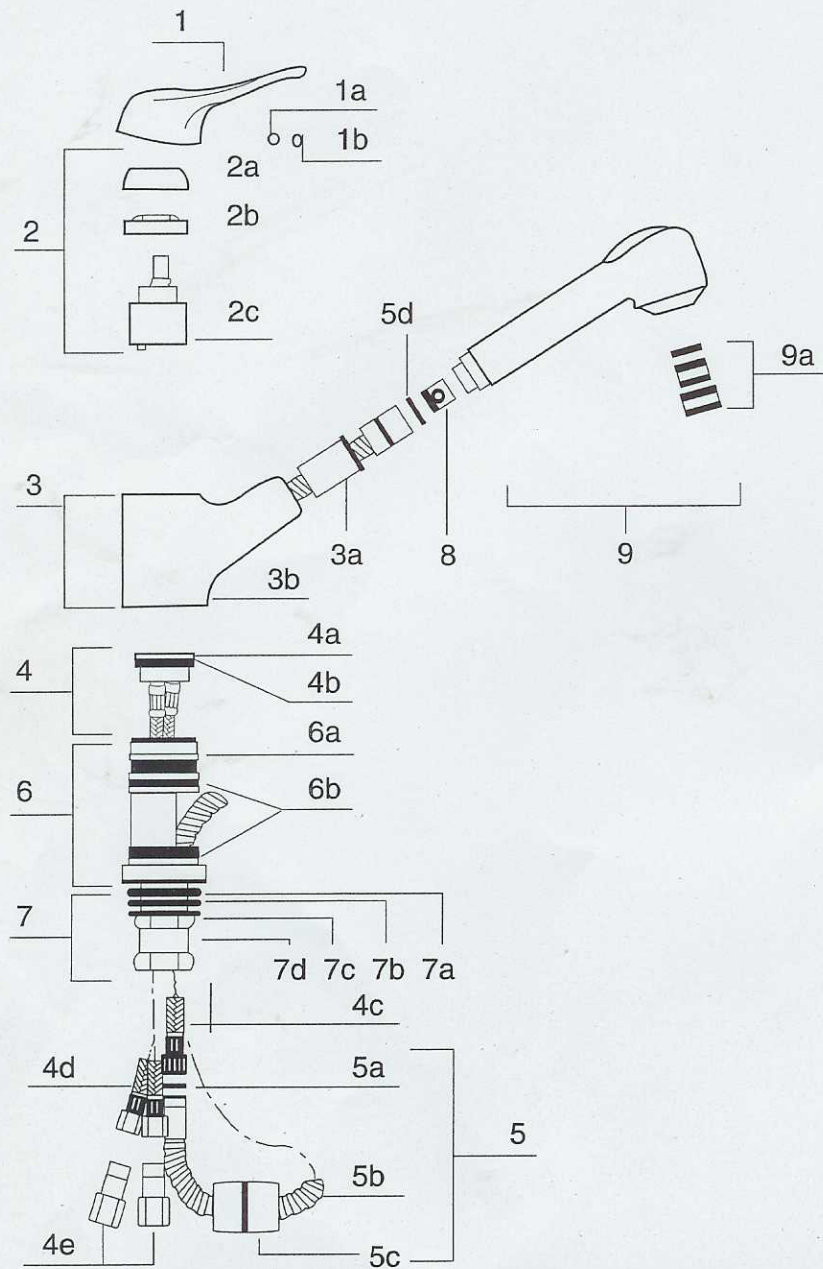




A112.18.1M

For reference Only!
Have your product number
available when calling.



| DOC. PART | DESCRIPTION |
|-----------|-------------------------|
| 1 | LEVER |
| 1A | SCREW |
| 1B | BUTTON |
| 2A | CAP |
| 2B | NUT |
| 2C | CARTRIDGE |
| 3 | BODY |
| 3A | PLASTIC INSERT |
| 4 | INSERT ASSY |
| 4A | INSERT W / V.BREAKER |
| 4C | SUPPLY TUBE |
| 4D | HOSE |
| 4E | CHECK VALVE |
| 5A | FIBER |
| 5B | HOSE |
| 5C | WEIGHT |
| 5D | RUBBER WASHER |
| 6 | INNER BODY ASSY |
| 6A | INNER BODY |
| 6B | O'RING |
| 7 | MOUNTING NUT ASSY |
| 7A | O'RING |
| 7B | RUBBER WASHER |
| 7C | METAL WASHER |
| 7D | NUT |
| 8 | FLOW R.W/ CHECK V |
| 9 | PULL OUT SPRAY |
| 9A | AERATOR SET |

1. Faucet Illustration

Use this illustration to familiarize yourself with the various parts of the faucet. Be sure that all the parts illustrated are included in the package. On new installations, mounting of the faucet on the sink prior to sink installation will simplify faucet installation.

2. Tools Needed

Basic tools needed:

- Adjustable wrench
- Channel pliers
- Screwdriver

Helpful option: Basin wrench

3. Remove Old Faucet

Flush pipes thoroughly and turn off the water supplies (hot and cold water). Disconnect supply lines and remove old faucet. Clean the sink surface of putty, dirt, etc., thoroughly.

